

# MDS 70 Threshold Solution for Composite & PVC Doors

Weatherbars, Door Surrounds & DIY Products



SEALED IN QUALITY

## MDS 70 RITB

Inward

Ref: 1.01.0770

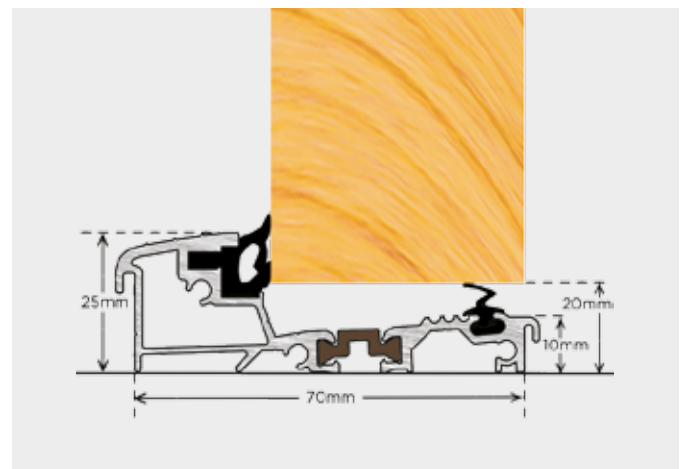
Thermally broken to meet thermal bridging and insulation requirements

Accepts both internal and FSB Endcaps

Optional front ramp available

Available in SAA & Gold

In sizes from 1m to 6m



## MDS 70 Outward Infill

Outward

Ref: 1.01.0773

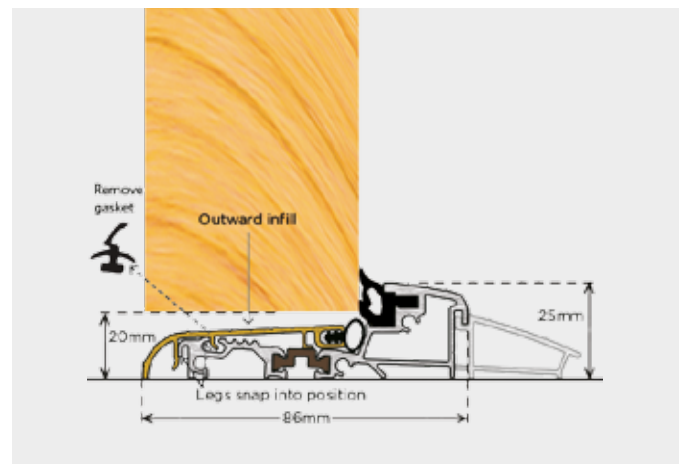
Remove Gasket as per illustration

Insert outward infill

Optional ramp available

Available in SAA & Gold

In sizes from 1m to 6m



## OUM 70 RITB

Outward

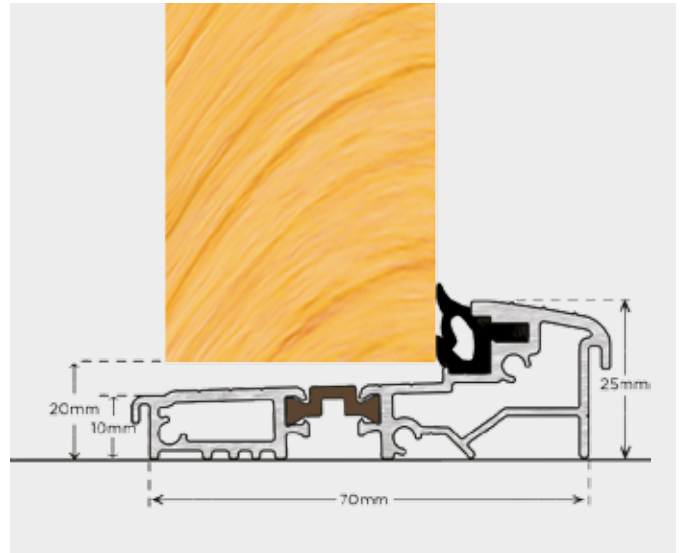
Ref: 1.01.0775

Thermally Broken

Optional Ramp Available

Available in SAA & Gold

In sizes from 1m to 6m



## OUM 125 RITB

Outward

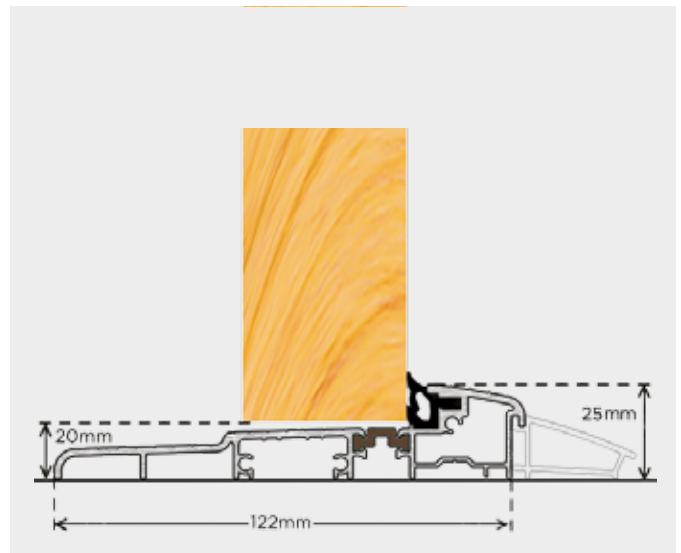
Ref: 1.01.0767

Thermally Broken

Optional Ramp Available

Available in SAA & Gold

In sizes from 1m to 6m



## OUM 70 PS RITB

Outward

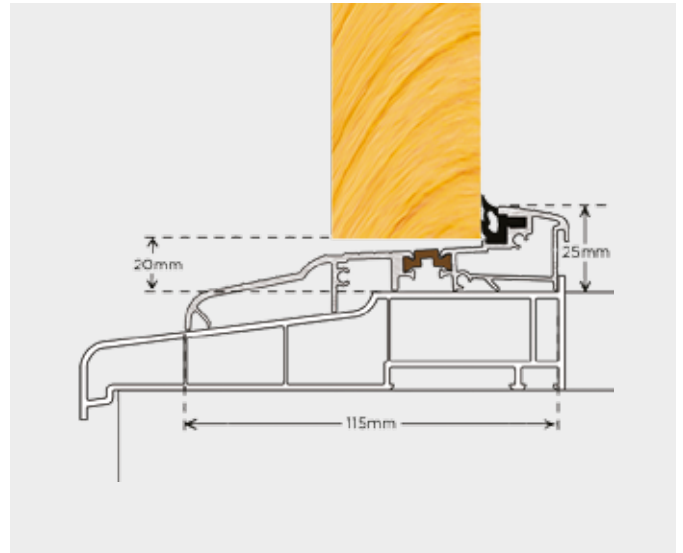
Ref: 1.01.0774

Designed for use with PVC, Wood or Composite Subsill

Thermally Broken

Available in SAA & Gold

In sizes from 1m to 6m



## MDS 70 PS RITB

Inward

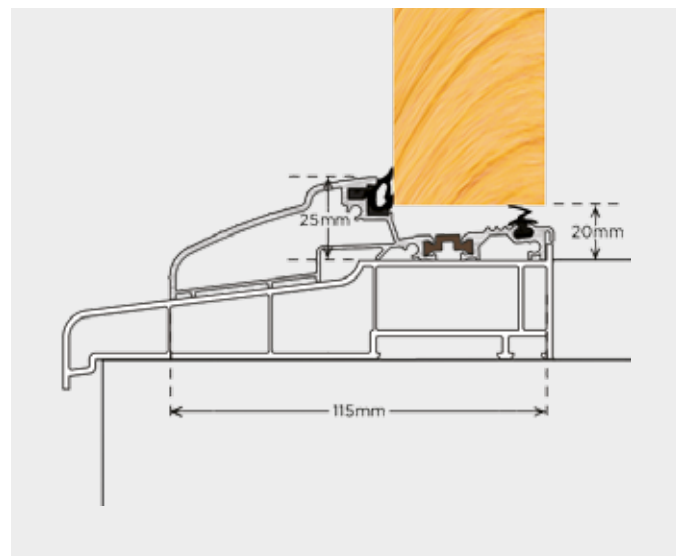
Ref: 1.01.0772

Designed for use with PVC, Wood or Composite Subsill

Thermally Broken

Available in SAA & Gold

In sizes from 1m to 6m



# Endcap Options Available

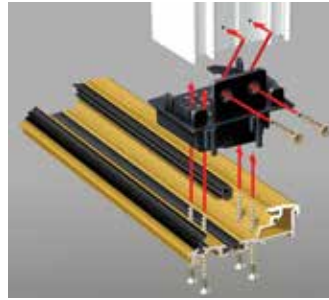
Internal Endcap



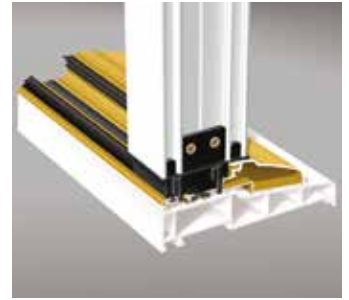
Internal Endcap



FSB Endcap



FSB Endcap



## Bottom Rebated Door Infill 51x22

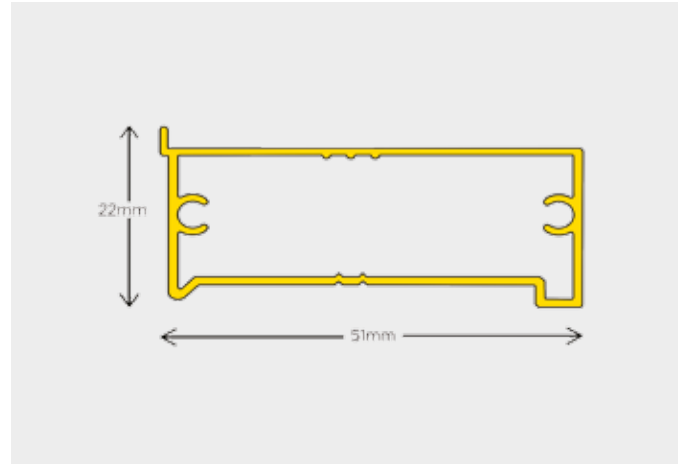
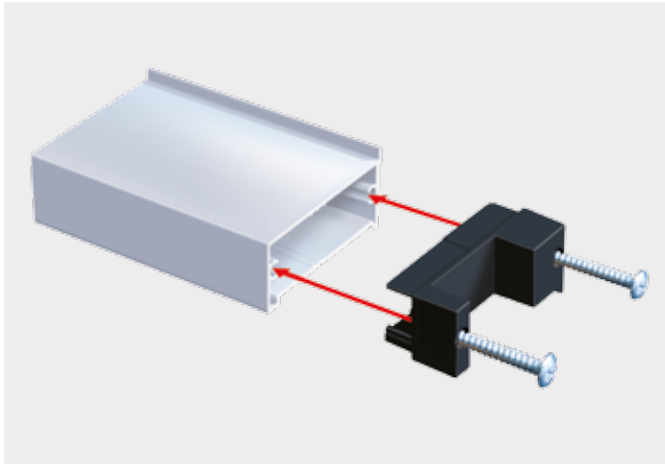
Ref: 1.01.0350

Fits to bottom of PVC Door to give a flush finish.

Available in SAA & Gold

Supplied with rebated endcaps to accept lock wraparound.

In sizes from 1m to 6m



## MDS/OUM Lock Keep

Ref: 1.01.0635.0000.30

Pre-machined lock keep to accept flush bolts on double doors.

Weatherbar and outward infill can be ordered pre-machined to accept lock keep.

